



# TCG Terminal Housing MIDS JTRS, MIDS LVT & TTNT

*Data Links Simplified*

## A Multi-function Single Case Solution

The TCG multifunctional information distribution system (MIDS) joint tactical radio system (JTRS), MIDS low volume terminal (LVT-1) and tactical targeting network technology (TTNT) mobile [terminal housing and control case](#) provides tactical edge warfighters an affordable, compact, transportable solution to meet Link 16 and TTNT communication requirements. The optional computer with slide-out dual screen and Link 16 and TTNT antennas provide a complete ground tactical data link (TDL) solution. You only need to provide the terminals, we provide the rest.

## MIDS LVT and MIDS JTRS

If you already have MIDS-LVT1 terminals and are considering MIDS LVT block upgrade 2 (BU2) or MIDS JTRS terminals, this is the case for you. The terminal housing case and control modules support MIDS LVT BU1 and BU2 terminals as well as MIDS JTRS. All power supplies, cable sets, and control modules are included, eliminating the need to purchase separate cases.

## TTNT Ready

This terminal housing case also supports TTNT, Tactical Targeting Network Technology, a tactical waveform integrated into the case. The THC supports the TTNT transport protocol for all Link 16 J-series messages along with voice and video. Additional TTNT power, cooling, and control options are available.

## TCG BOSS® and TCG GTS® Ready

By adding TCG's GTS software, the warfighter has a fully operational tactical data link SA and C2 asset. By deploying TCG GTS, your mission is never degraded due to a lack of TDL connectivity. You can affordably place multiple systems across the battlefield, on ramps, or wherever needed. In laboratory environments, adding TCG's BOSS software provides a complete TDL testing and simulation solution.

Curtiss-Wright is the leading independent supplier of tactical data link software solutions for military communications systems. Our comprehensive portfolio of TDL testing, training, simulation, and battlefield operations solutions provide the warfighter with proven multi-link communication capabilities that optimize performance and increase mission effectiveness, and is the leading TDL solution set in used in militaries around the globe.

## Key Features

- MIDS LVT1 family (BU1 and BU2) support
- MIDS JTRS support
- TTNT support
- Single, dual, or triple case
- MIDS remote control
- Terminal voice control
- Remote J-voice

## Applications

- Mobile Link 16 communication
- Link 16 operations, training, and tactical display
- TTNT communications

## MIDS Remote Control Unit (MRCU)

The MRCU provides all the control and monitoring functions for MIDS-LVT and MIDS JTRS terminals, including TTNT. In addition to local Terminal control (on/off/standby, crypto zeroize, BIT Status, etc.), the MRCU provides remote Terminal control over an IP network via an intuitive software user interface.

## Local and Remote J-Voice

The Terminal Voice Control Unit (TVCU) has both local and remote J-Voice capability allowing Link 16 voice to be connected to a remote handset/headset over a secure IP network.

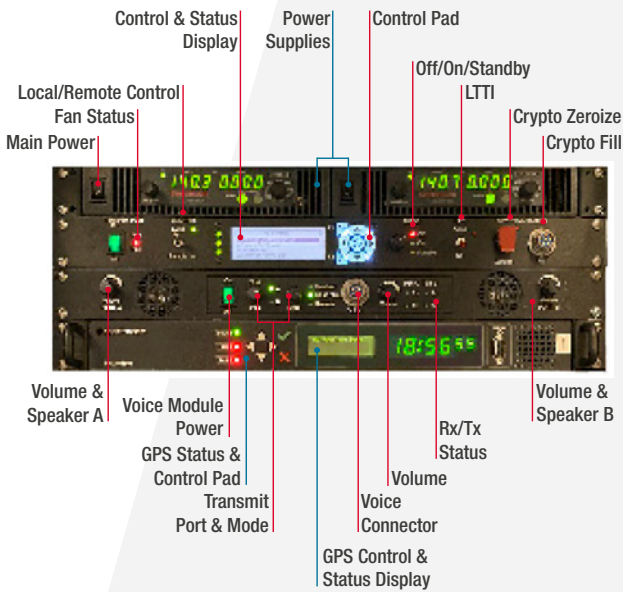


Figure 1: Front control panel: power supplies, MIDS local/remote control unit, local/remote voice, and GPS module

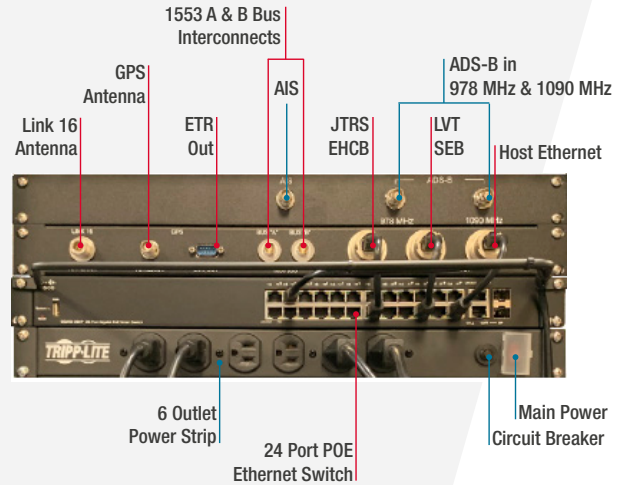


Figure 2: Back connector panel: power strip, Ethernet switch, AIS, ADS-B, and other connectors

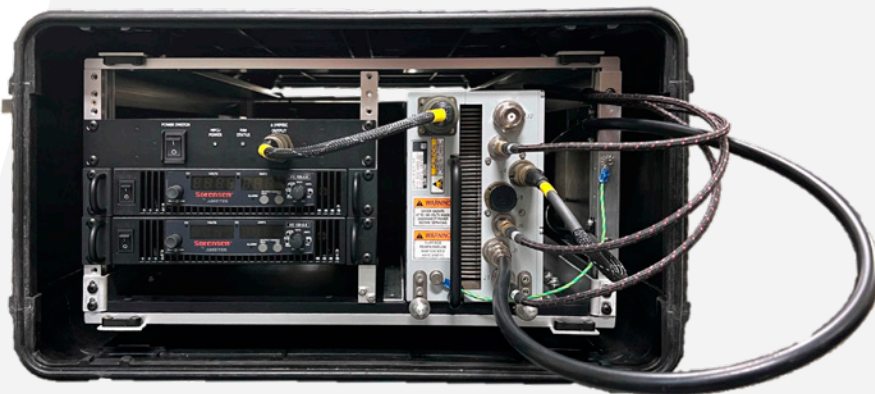


Figure 3: TTNT interface and control module

## TCG Terminal Housing MIDS JTRS, MIDS LVT & TTNT

## Specifications

- MIDS LVT1 family (BU1 & BU2) support
- MIDS JTRS support
- TTNT support
- TTNT external power amplifier option
- IPS safe mounting option
- Single, dual, or triple case
- MIDS remote control unit with remote reprogramming
- Spectracom secure sync GPS
- SAASM available
- 10vdc 1PPS output
- Terminal voice control unit
- Remote J-voice
- Uninterruptable power supply
- Master power on/off
- Terminal type selector
- Crypto zeroize
- Crypto hold in Standby mode
- Mode select on/off/standby
- LTTI switch
- Status indicators
- Platform controls
- Rack mounted computer
- Slide-out dual monitors and keyboard
- Link 16 antenna and cables
- THC Rolling cart
- Power conditioning and cooling
- Internal temperature sensors

### Size

- 30" x 19" Removable rack
- 9U Case
- 3U Optional UPS case
- 5U Optional computer/monitors case
- 170 lb (nominal)

### Power

- 120/240 VAC, 50/60 Hz
- Country-specific AC input
- Internal DC power supplies
- 6 Outlet AC power strip
- Primary and secondary (JTRS)

### Connections

- Link 16 antenna
- GPS antenna
- ETR out
- JTRS EHCB
- LVT SEB
- Host Ethernet
- JTRS Ethernet and 3-channel TTNT Ethernet
- 24-port POE 10/100/1G Ethernet
- MIL-STD-1553 A and B
- Crypto fill
- Voice
- AIS
- ADS-B In

## Ordering information

Contact [Curtiss-Wright](#) for ordering information.